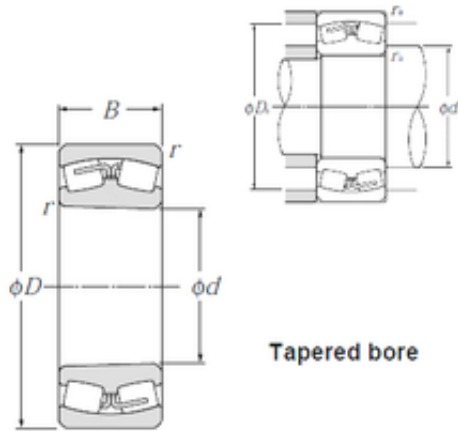


## 23068BK NTN Spherical Roller Bearings



Bearing No. 23068BK

23068BK Bearing 2D drawings and 3D CAD models

Size	340x520x133 mm
Bore Diameter	340 mm
Outer Diameter	520 mm
Width	133 mm
d	340 mm
D	520 mm
B	133 mm
C	133 mm
r min.	5 mm
da min.	362 mm
Da max.	498 mm
ra max.	4 mm
Weight	100 Kg
Basic dynamic load rating (C)	2 310 kN
Basic static load rating (C0)	4 550 kN
(Grease) Lubrication Speed	630 r/min
(Oil) Lubrication Speed	820 r/min
Calculation factor (e)	0,25
Calculation factor (Y0)	2,62
Calculation factor (Y1)	2,68
Category	Bearings
Inventory	0.0
Manufacturer Name	NTN
Minimum Buy Quantity	N/A
Weight / Kilogram	0
Product Group	B04311



# UG Ball Bearing CORP.