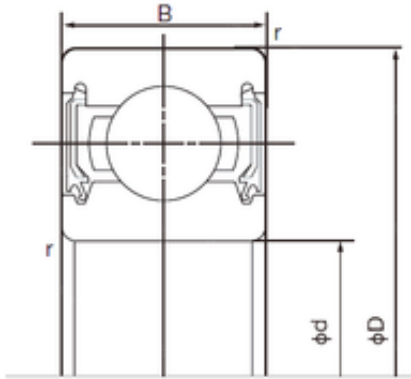


35 mm x 62 mm x 14 mm 55/12Z/10 Conveyor Chain Bearing

Bearing No. 6007-2NSE



6007-2NSE Bearing 2D drawings and 3D CAD models

Size	35x62x14 mm
Bore Diameter	35 mm
Outer Diameter	62 mm
Width	14 mm
d	35 mm
D	62 mm
B	14 mm
C	14 mm
r min.	1 mm
da min.	40 mm
Da max.	57 mm
ra max.	1.0 mm
Weight	0.156 Kg
Basic dynamic load rating (C)	16 kN
Basic static load rating (C0)	10,3 kN